

## TANGO ACE 121, Cappuccinatore device



### Ref: 602618 (UTANGOACE1LC)

Full-automatic machine, 1 group, 220x40 ml espresso cup/hr, 6,5 liter steam/coffee boiler, 1x1,7 kg and 1x1,2 kg coffee hopper, programmable water and steam, Cappuccinatore device for hot milk and foam drinks

### General Features

The super automatic coffee machine Tango® Ace impresses its users with an exceptional result in every cup, and the quality of its equipment makes it a highly reliable choice for demanding professional use.

The Tango® Ace comes in 3 different colors: shiny white, glossy black and brushed stainless steel, fitted with a new 7" color touch screen user interface. This full automatic coffee machine has a 48 drinks menu, all customizable and comprehensive with the addition of the Cappuccinatore device to process fresh milk into specialty coffee drinks as cappuccino, latte, mocha...

Delivery capacity:  
Espresso 40ml : 220 cups/h  
Lungo 100ml : 150 cups/h  
Hot water : 30 L/h  
Cappuccino 100ml: 170 cups/h  
Latte 100ml: 150 cups/h

# TANGO ACE 121, Cappuccinatore device

## Main Features

- 1 group full-automatic machine.
- 6.5 liter steam/coffee boiler.
- Auto cleaning program.
- Programmable water and steam.
- Tango Cappuccinatore device with double feature L: for hot milk and C: for foam by air injection.
- The super automatic coffee machine Tango® Ace impresses its users with an exceptional result in every cup, and the quality of its equipment makes it a highly reliable choice for demanding professional use.
- The Tango® Ace comes in 3 different colors: shiny white, glossy black and brushed stainless steel, fitted with a new 7" color touch screen user interface. This full automatic coffee machine has a 48 drinks menu, all customizable and comprehensive with the addition of the Cappuccinatore device to process fresh into specialty coffee drinks as cappuccino, latte, mocha...
- Delivery Capacity:  
Espresso 40ml: 220 cups/h  
Lungo 100ml: 300 cups/h  
Hot Water: 56 L/h  
Cappuccino 100ml: 240 cups/h  
Latte 100ml: 180 cups/h

## Construction

- 2 coffee grinders (1 x 1,7 kg & 1 x 1,2 kg coffee hoppers).
- LCD Touchscreen.
- PID (proportional-integral-derivative) Temperature control: a precise controller algorithm system that gives consistency and accuracy to brewing temperature management system.

## Optional Accessories

- Side milk refrigerator 8 liter nominal capacity for up to 4 liter milk containers PNC 871014
- Side milk refrigerator 8 liter nominal capacity for up to 4 liter milk containers with digital display PNC 871015
- TANGO hotel/breakfast service kit PNC 871022
- Coffee ground direct discharge chute PNC 871023

# TANGO ACE 121, Cappuccinatore device

## Electric

Supply voltage:

602618  
(UTANGOACE1LC) 400 V/3N ph/50 Hz

Electrical power max.: 5.2 kW

Plug type: Cable without plug

## Water:

Cold water temperature  
(min/max): 5 / 60 °C

## Key Information:

External dimensions,  
Width: 448 mm

External dimensions,  
Depth: 627 mm

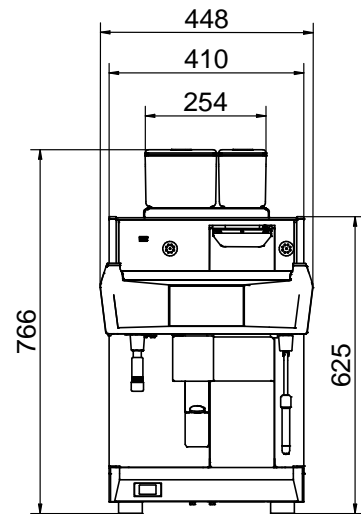
External dimensions,  
Height: 846 mm

Net weight: 103 kg

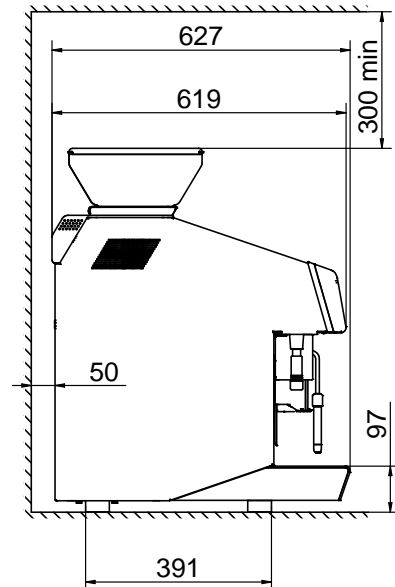
Shipping volume: 0.69 m<sup>3</sup>

Sustainability

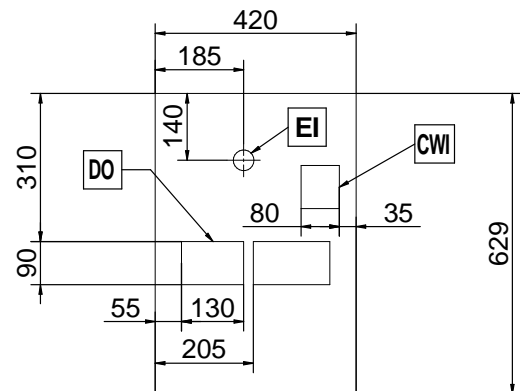
Current consumption: 7.5 Amps



Front



Side



Top

## Certifications



The company reserves the right to make modifications to the products without prior notice. All information correct at time of printing.

2024.05.16

Part of  Electrolux  
Professional  
Group

# UNIC